

F4000 Advance Series

3 Axis Robot

Fisnar F4000 Advance 3-axis benchtop robots are designed to ensure precise fluid placement and positioning. When configured with a syringe, cartridge or valve system, a high level of accuracy and repeatability is achieved.

Specifically built for fluid dispensing processes, the F4000 proprietary robot software is user friendly and enables the creation of complex dispensing routines (dots, lines, circles, arcs and fills) that can be set-up and operational in just minutes using the teach pendant (included).

The proprietary windows programming software allows for DXF files to be imported into the software and have dispense lines or dots quickly created from the imported CAD data. This feature dramatically reduces programming time for complex dispense patterns or when there is a high number of dispense positions.

The F4000 Advance can be supplied individually or as a complete stand alone machine system by integrating into a safety enclosure.**



Features:

- Modular connectivity for easy installation of accessories at any time such as the CCD vision kit, tip-alignment or height sensor
- USB Port for data transfer and back-up
- Program selector switch and fluid purge button
- True 3D interpolation and simultaneous motion control
- Teach pendant included for easy programming

Benefits:

- High positional accuracy improves dispense results.
- Proprietary user-friendly software allows programs to be easily and quickly set up using the teach pendant or PC
- Increased productivity due to faster cycle times and less rejects
- Windows software provides greater control and visibility of complete dispense program.

Specifications:

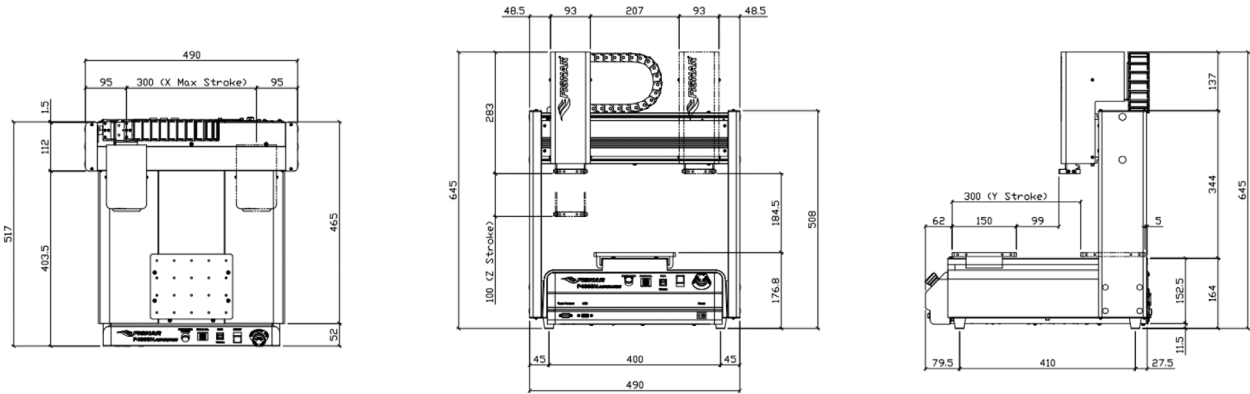
	F4303	F4403	F4503	F4603
Max Working Area (X / Y / Z)	300 / 300 / 100 mm (12 / 12 / 4")	400 / 400 / 100 mm (16 / 16 / 4")	500 / 500 / 150 mm (20 / 20 / 6")	600 / 500 / 150mm (24 / 20 / 6")
Worktable Load	10kg (22lb)			
Tool Load	5kg (11lb)			
Max Speed (X & Y/Z)	800 / 320 mm/sec (31 / 13" / sec)			
Repeatability	+/- 0.008 mm*			
Data Memory	1-99 Programs. 1-50,000 points per program			
Drive System	3-phase micro-stepping motor			
Motion Control	PTP & CP			
I/O Signals	8 inputs, 8 outputs			
External Interface	USB & RS232			
Power Supply	Auto-switching AC100-240V, 320W			
Dimensions (W x H x D)	490 x 645 x 517 mm (19 x 25 x 20")	590 x 645 x 617 mm (23 x 25 x 24")	690 x 815 x 717 mm (27 x 32 x 28")	810 x 815 x 717 mm (32 x 32 x 28")
Weight	21kg (46lb)	39.5 kg (87 lb)	44.5kg (98 lb)	47kg (104 lb)
Approvals	CE, RoHS, WEEE			

* Repeatability value will vary depending on measurement method ** Required to conform with European CE safety regulations (Machinery Directive 2006/42/EC)

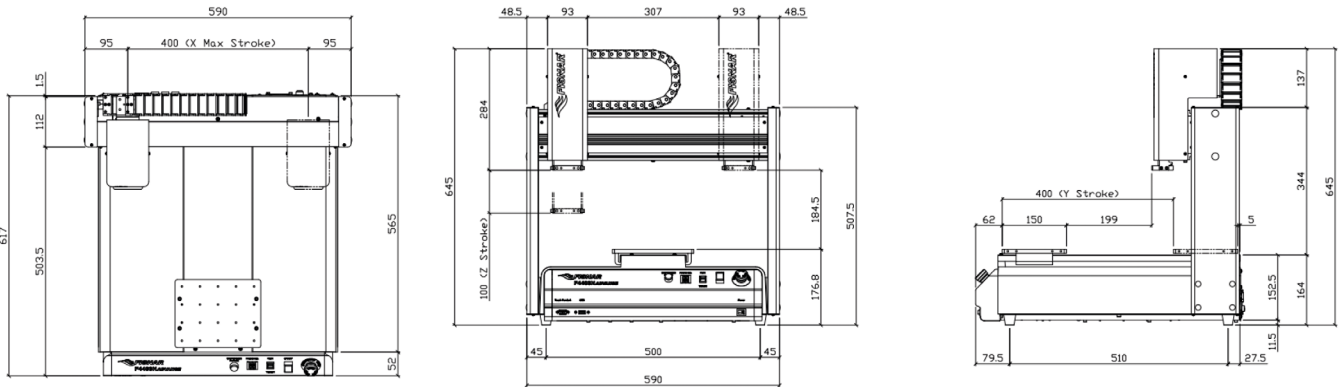
FREE Process Evaluation Video

Not sure how our equipment will perform with your product? The simplest way to see what Fisnar robots can do for your application is with a free video trial of the dispense process. You'll get a first-hand look at the process to ensure everything works to your expectations.

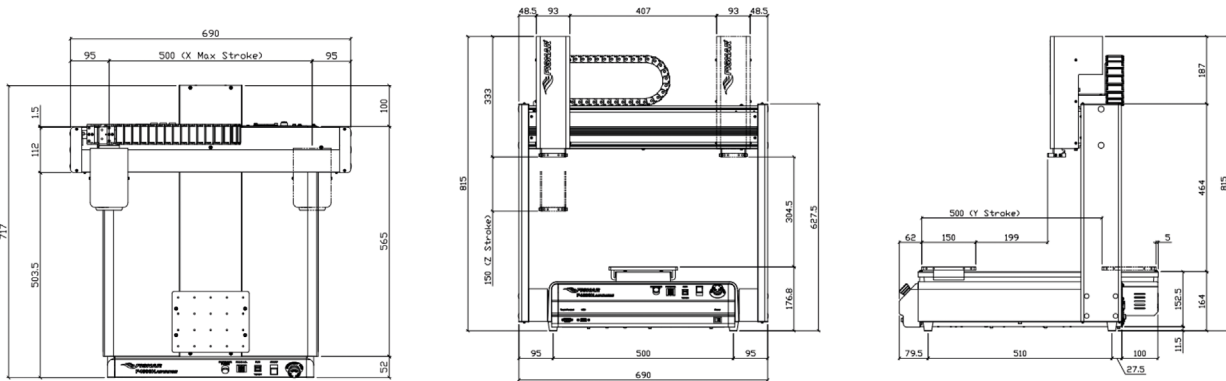
F4303



F4403



F4503



F4603

